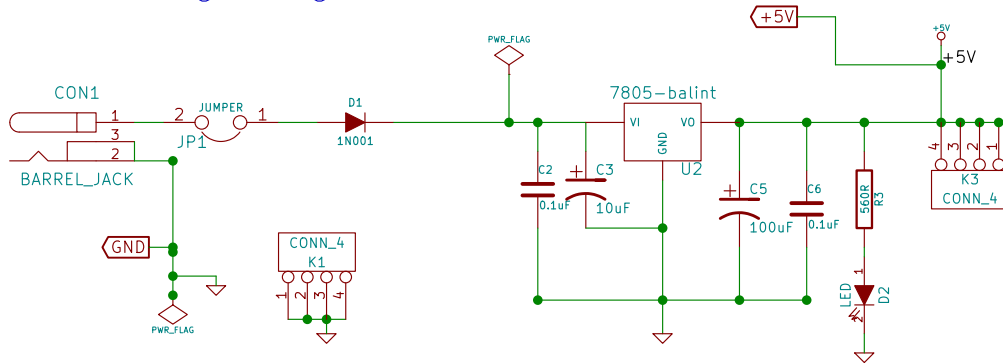
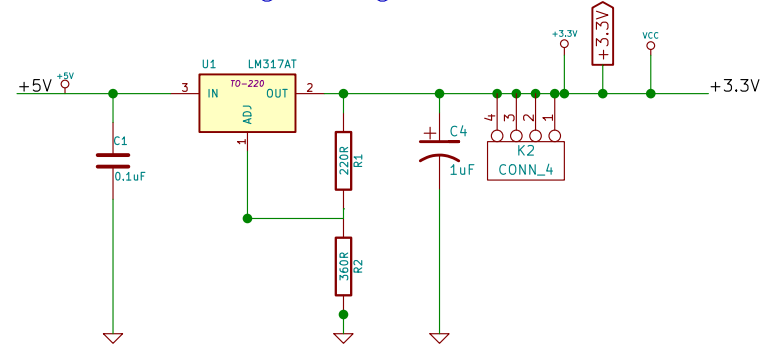


MSP430 Baseboard

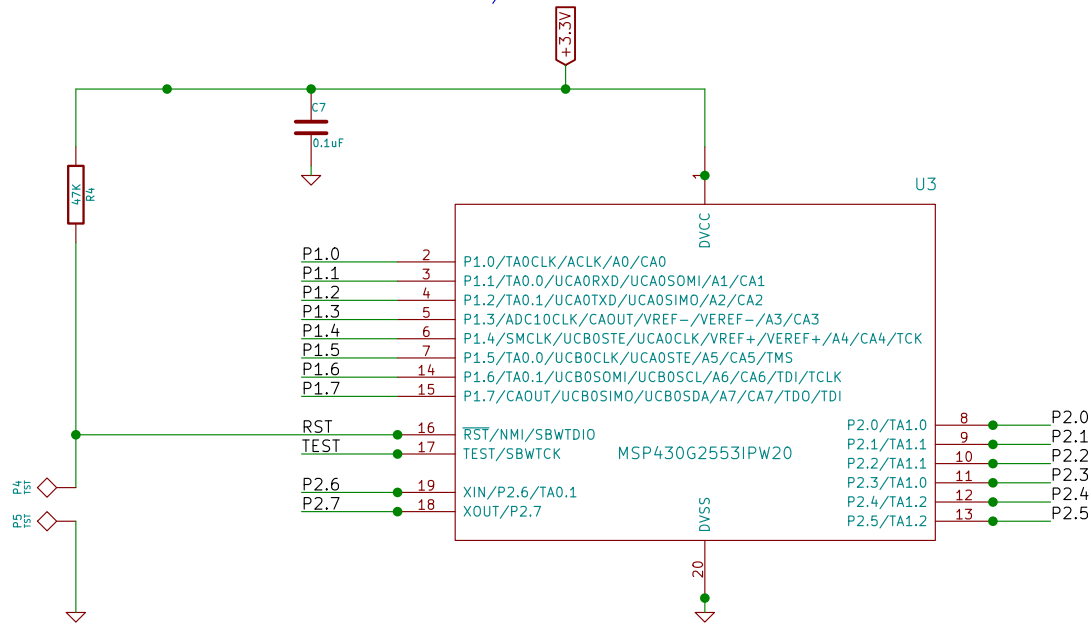
5V Voltage regulator



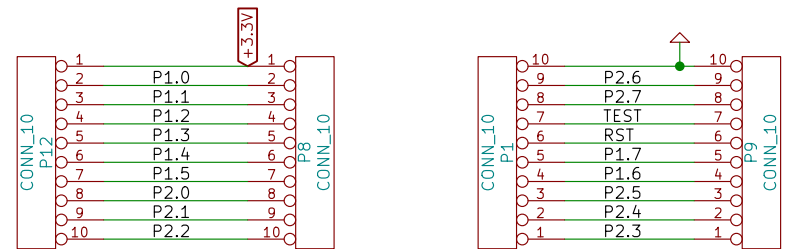
3.3V Voltage regulator



MSP430G2553 IPW20/IN20



Connector



<http://tronixstuff.com/tag/lm317/>
<http://www.electronics-lab.com/articles/LM317/>
<http://learn.adafruit.com/ice-tube-clock-kit/design>
 LineFollower
<http://eskol.com>

Sheet: /
File: MSP430BaseBoard.sch

Title: MSP430 Baseboard

Size: A4 Date: 03 Feb 2014

KiCad E.D.A. eschema (2014-03-19 BZR 4756)-product

Rev: 13/07/14

Id: 1/1