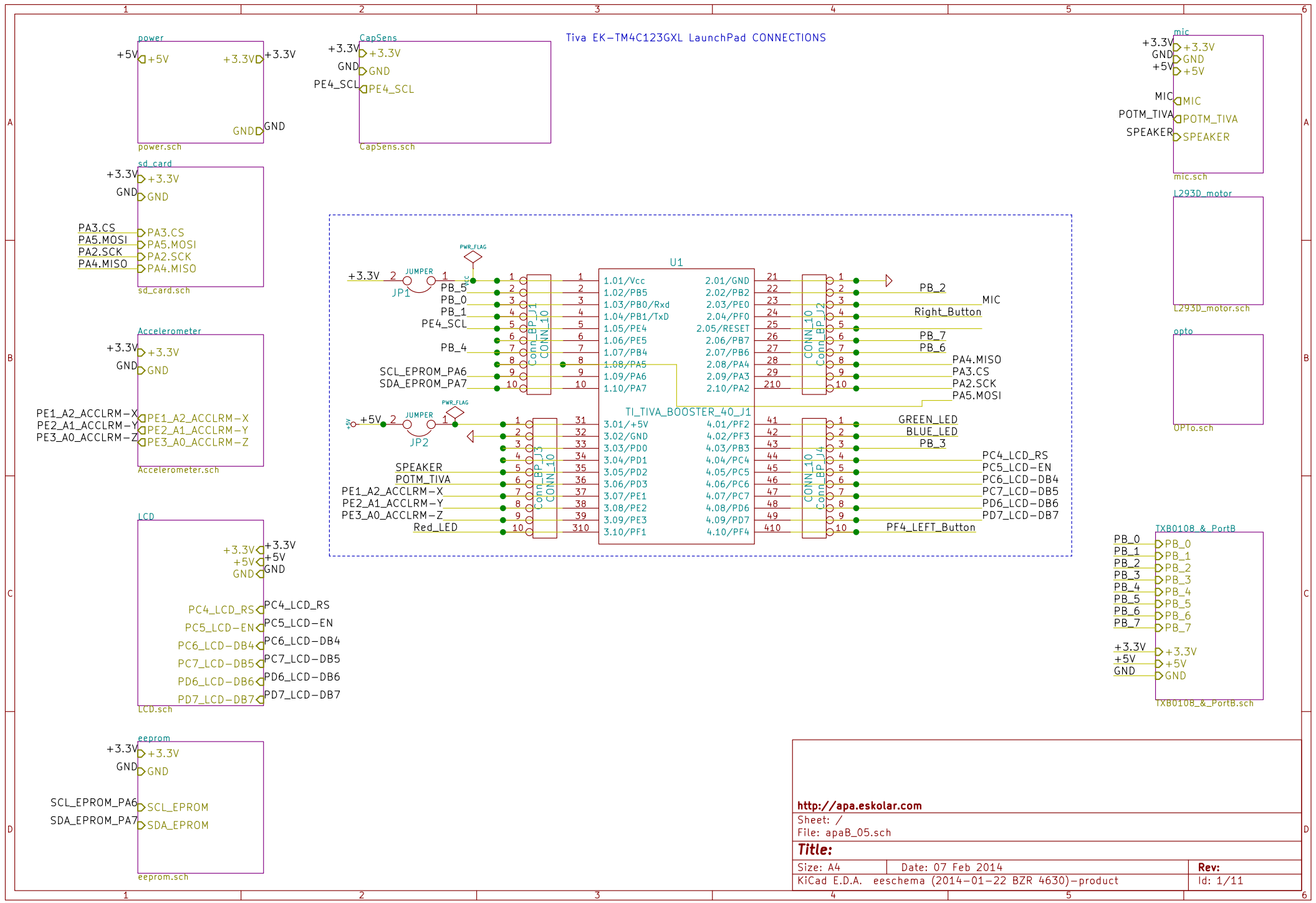
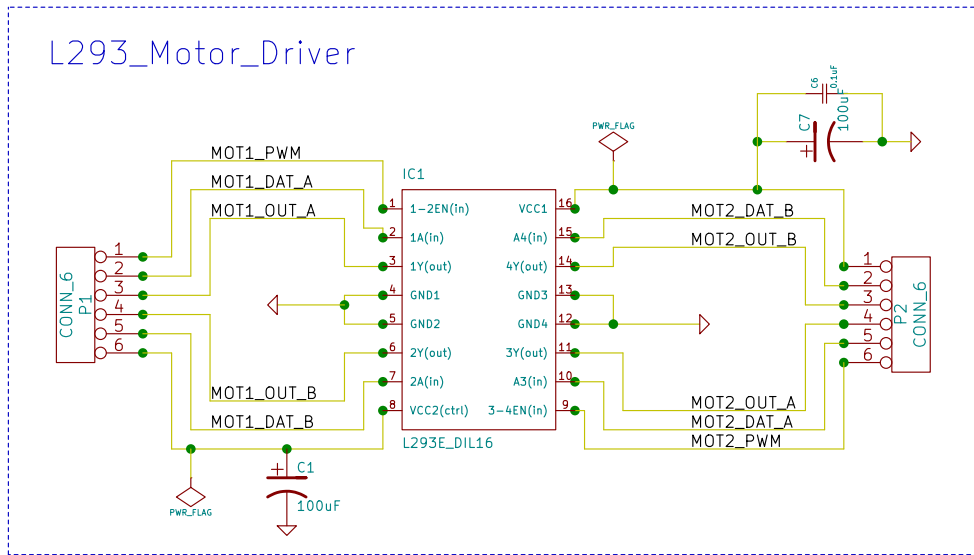


Tiva EK-TM4C123GXL LaunchPad CONNECTIONS



L293_Motor_Driver

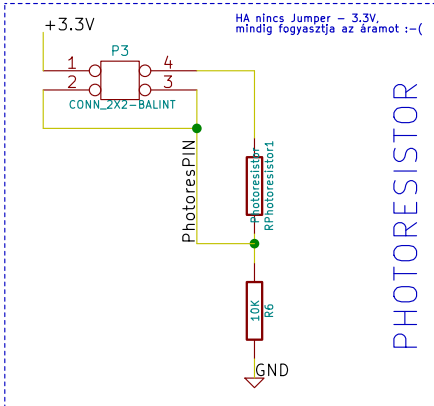
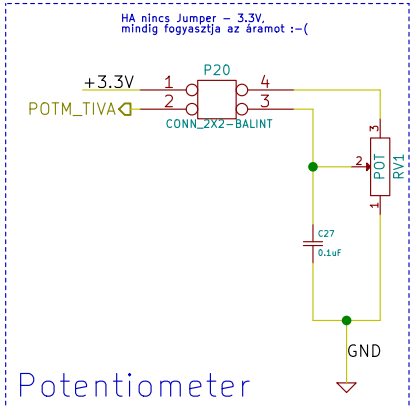
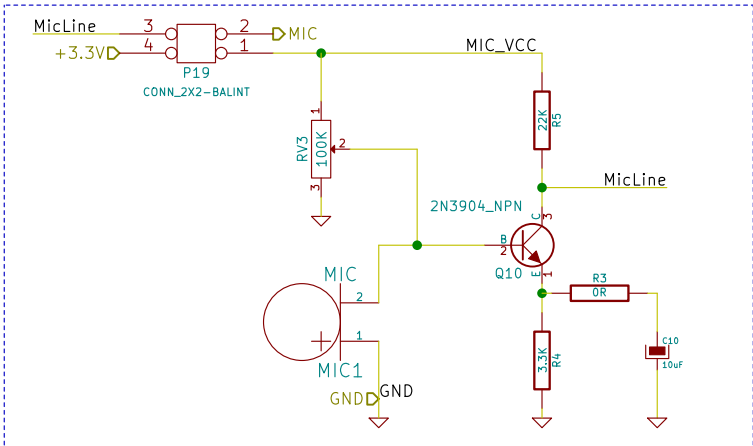


07 Feb 2014
<http://www.ladyada.net/make/mshield>
<http://learn.adafruit.com/adafruit-arduino-lesson-15-dc-motor-reversing/lm293d>
<http://apa.eskolar.com>

Sheet: /L293D_motor/
 File: L293D_motor.sch

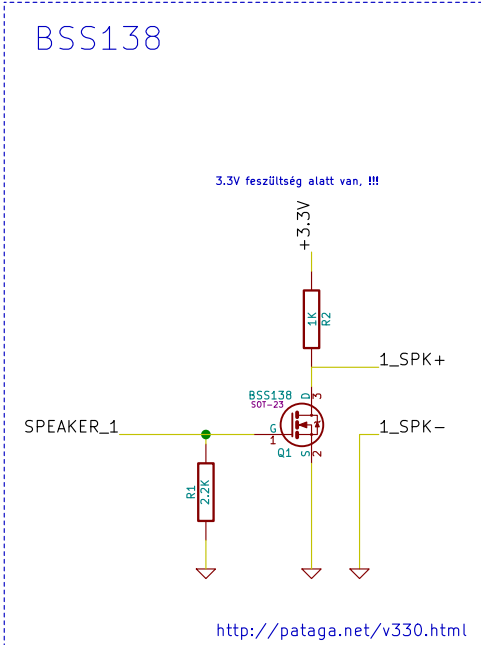
Title: L2093_Motor_Driver

Size: A4	Date: 07 Feb 2014	Rev: 09 Feb 2014
KiCad E.D.A. eeschema (2014-01-22 BZR 4630)-product		Id: 2/11

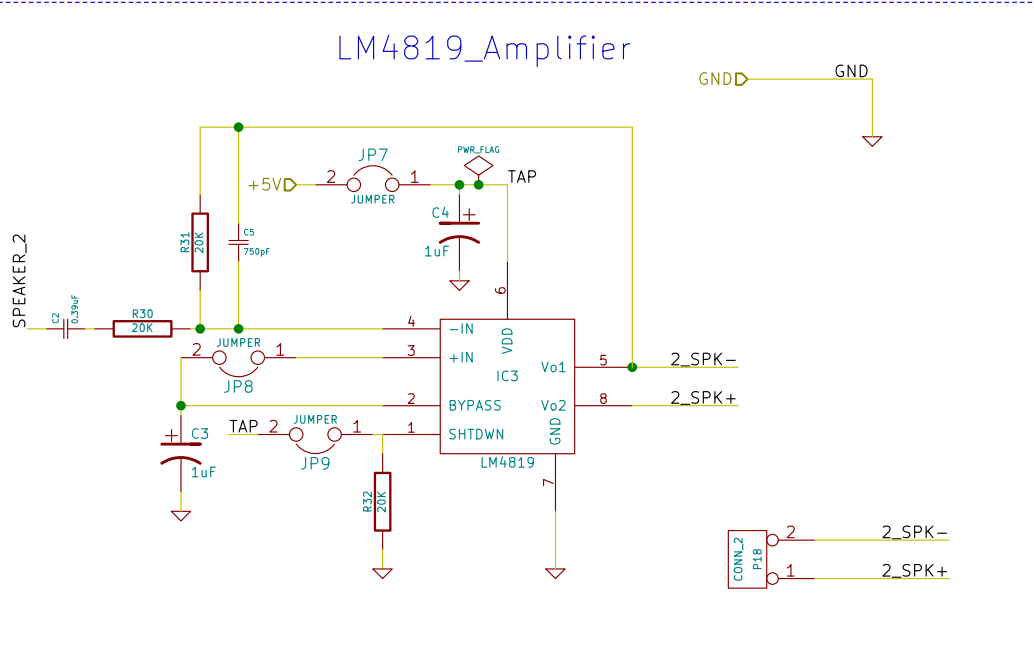
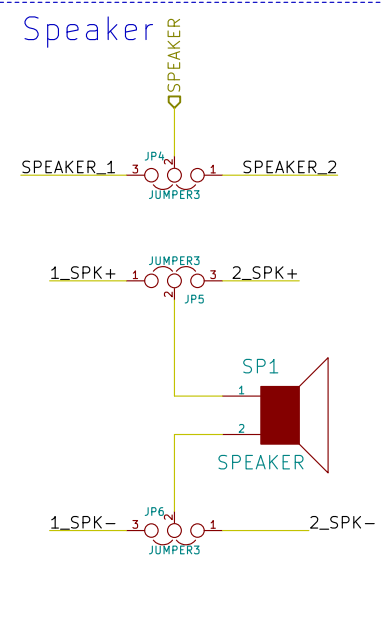


Potentiometer

PHOTORESISTOR



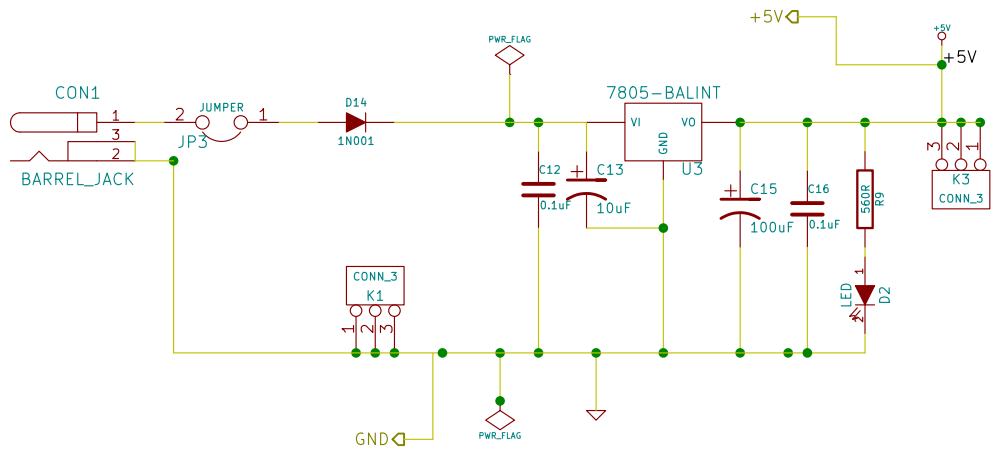
<http://pataga.net/v330.html>



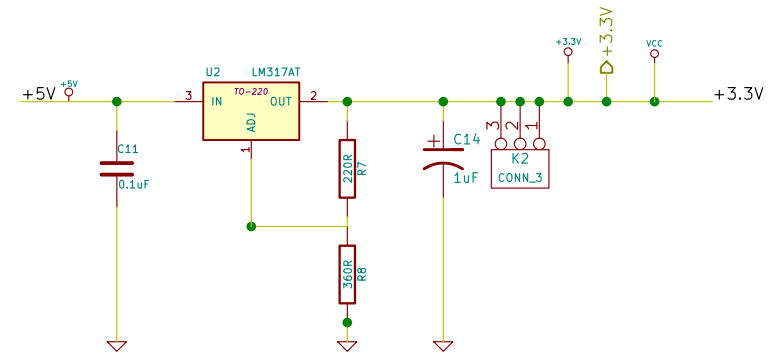
<http://www.ti.com/lit/ds/symlink/lm4819.pdf>
http://www.nerdkits.com/videos/sound_meter/
<http://apa.eskolar.com>

Sheet: /mic/
 File: mic.sch

Title:	
Size: A4	Date: 07 Feb 2014
KiCad E.D.A. eschema (2014-01-22 BZR 4630)-product	Rev: 11/03/14
	Id: 3/11



<http://learn.adafruit.com/ice-tube-clock-kit/design>



<http://www.electronics-lab.com/articles/LM317/>
<http://tronixstuff.com/tag/lm317/>

<http://en.wikipedia.org/wiki/LM317>

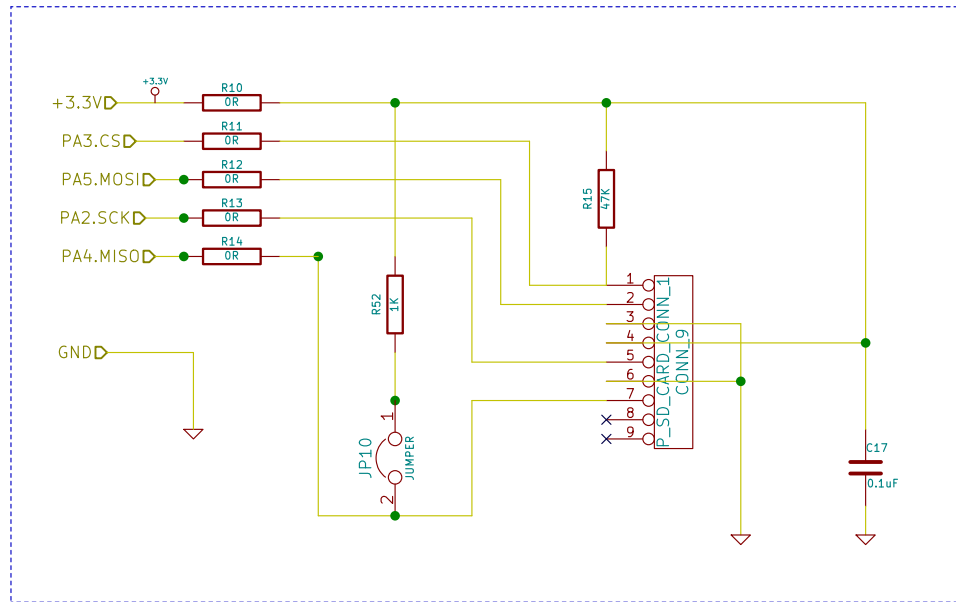
<http://www.ladyada.net/library/equipt/diypsupp.html>

<http://apa.eskolar.com>

Sheet: /power/ VF - 2014-02-06
 File: power.sch

Title:

Size: A4	Date: 06 Feb 2014	Rev:
KiCad E.D.A. eeschema (2014-01-22 BZR 4630)-product		Id: 4/11



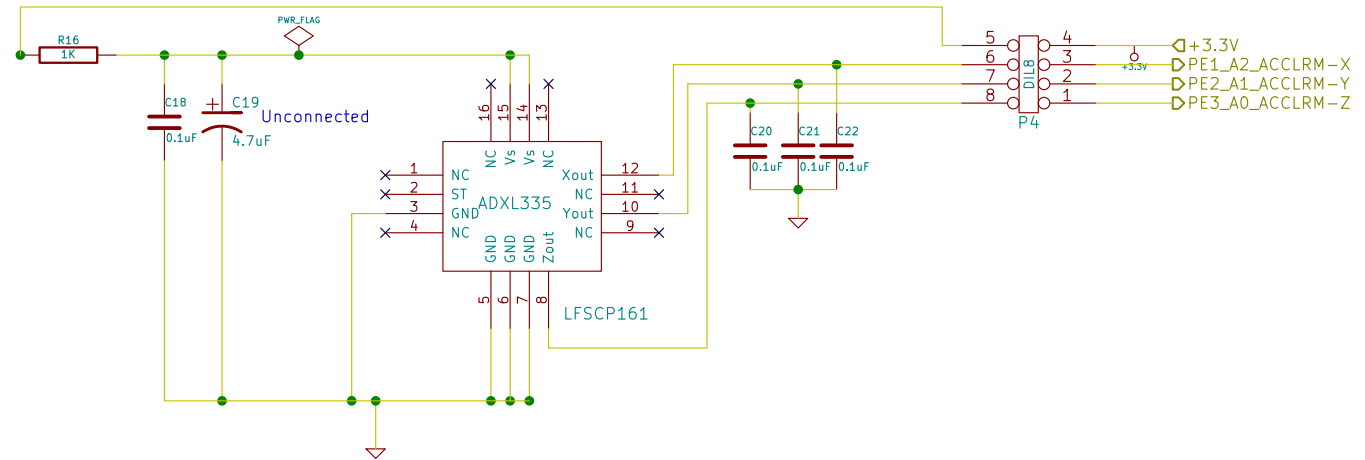
<http://forum.stellarisiti.com/topic/442-energia-library-stellaris-launchpad-fatfs-energia-library/>
http://doc.43oh.com/The_Card_Reader_SDCard_BoosterPack
<http://www.ti.com/lit/an/slaa281b/slaa281b.pdf>
<http://apa.eskolar.com>

Sheet: /sd_card/ 2014-02-06
 File: sd_card.sch

Title: SD_Card

Size: A4	Date: 06 Feb 2014	Rev: 09/02/14
KiCad E.D.A. eeschema (2014-01-22 BZR 4630)-product		Id: 5/11

Accelerometer



GNDD

<http://apa.eskolar.com>

Sheet: /Accelerometer/
File: Accelerometer.sch

Title: ADXL335-ACCELEROMETER

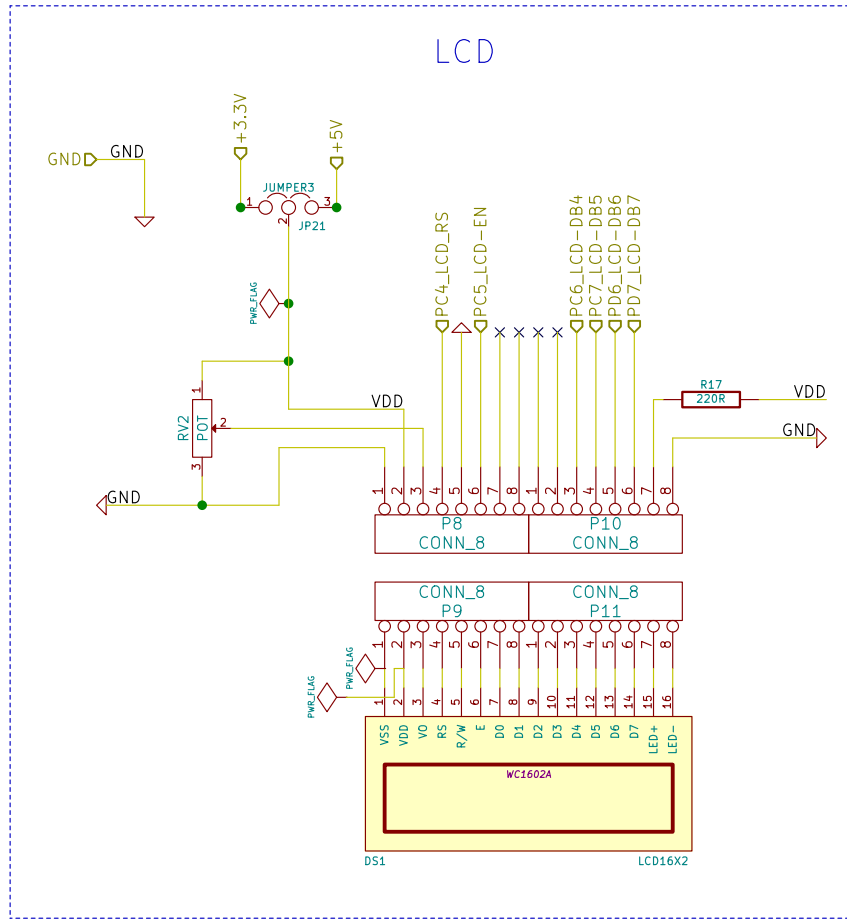
Size: A4

Date: 06 Feb 2014

Rev: 09/02/14

KiCad E.D.A. eeschema (2014-01-22 BZR 4630)-product

Id: 6/11



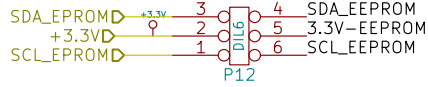
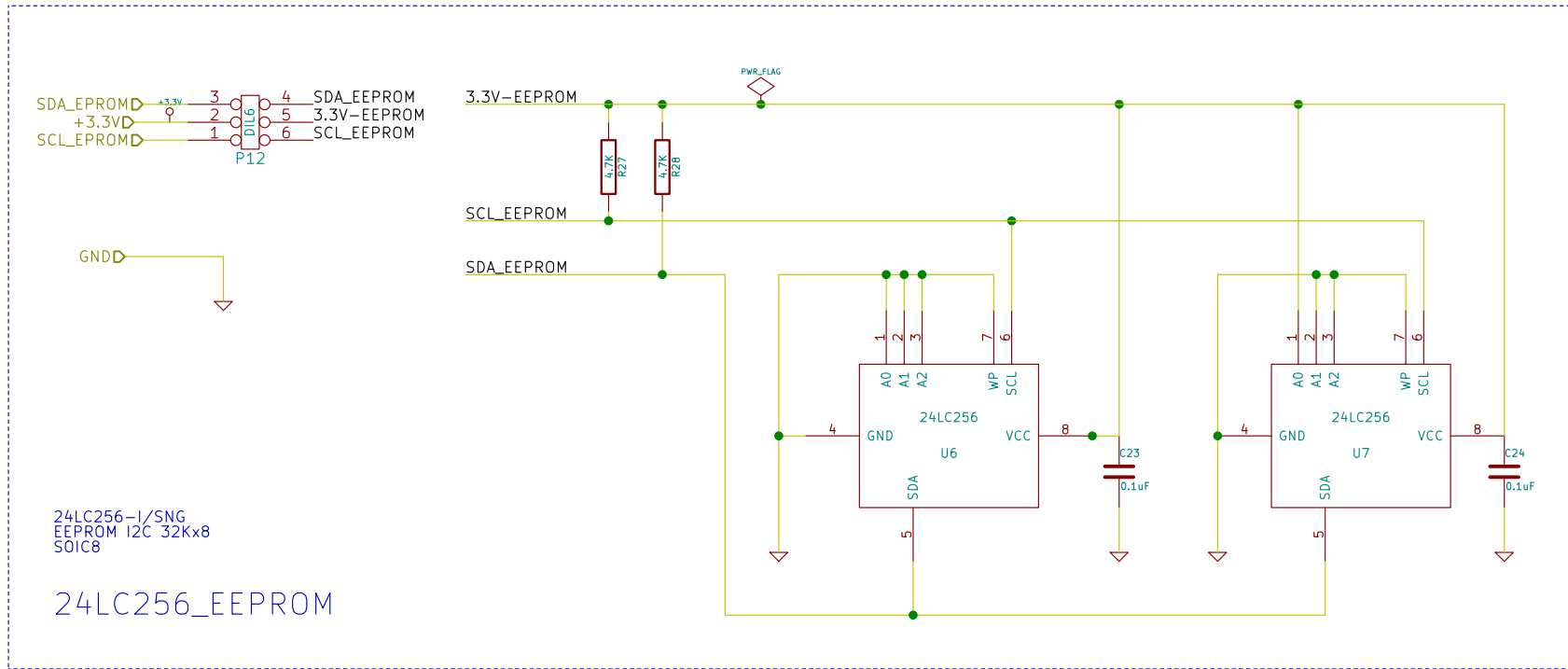
<http://apa.eskolar.com>

Sheet: /LCD/
File: LCD.sch

Title: LCD

Size: A4 Date: 06 Feb 2014
KiCad E.D.A. eeschema (2014-01-22 BZR 4630)-product

Rev: 09/02/14
Id: 7/11



24LC256-1/SNG
EEPROM I2C 32Kx8
SOIC8

24LC256_EEPROM

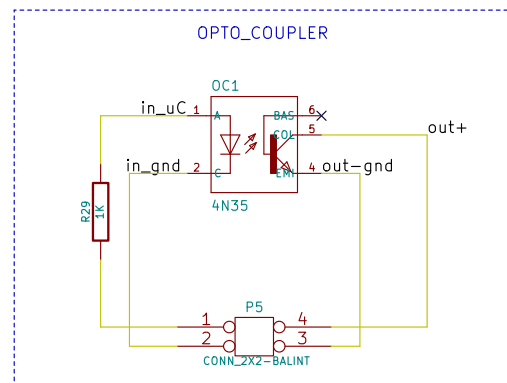
<http://tronixstuff.com/2010/10/29/tutorial-arduino-and-the-i2c-bus-part-two/>
<http://apa.eskolar.com>

Sheet: /eeprom/
File: eeprom.sch

Title: 24LC256_EEPROM

Size: A4 Date: 06 Feb 2014
KiCad E.D.A. eeschema (2014-01-22 BZR 4630)-product

Rev: 09/02/14
Id: 8/11



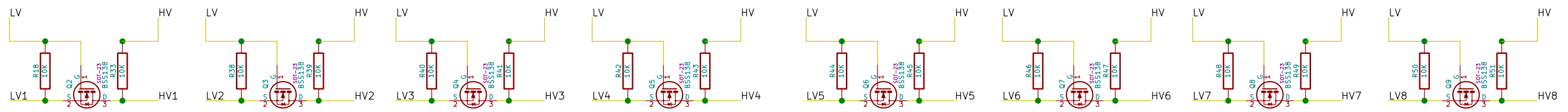
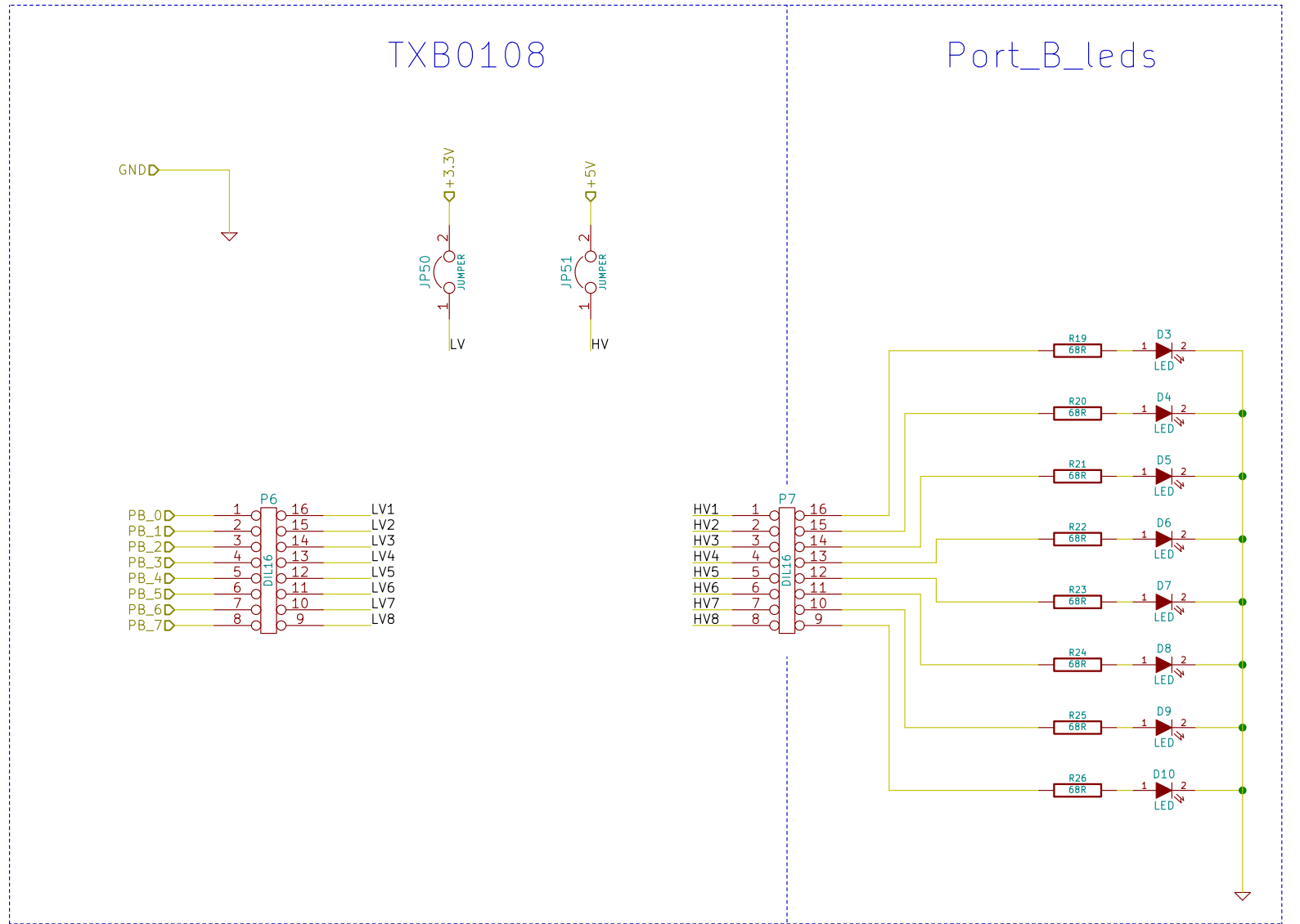
<http://forum.arduino.cc/index.php/topic,18313.0.html>
<http://mario Boehmer.blogspot.hu/2011/04/android-arduino-controlled-remote-wall.html>

<http://forum.arduino.cc/index.php/topic,18313.0.html>
<http://apa.eskolar.com>

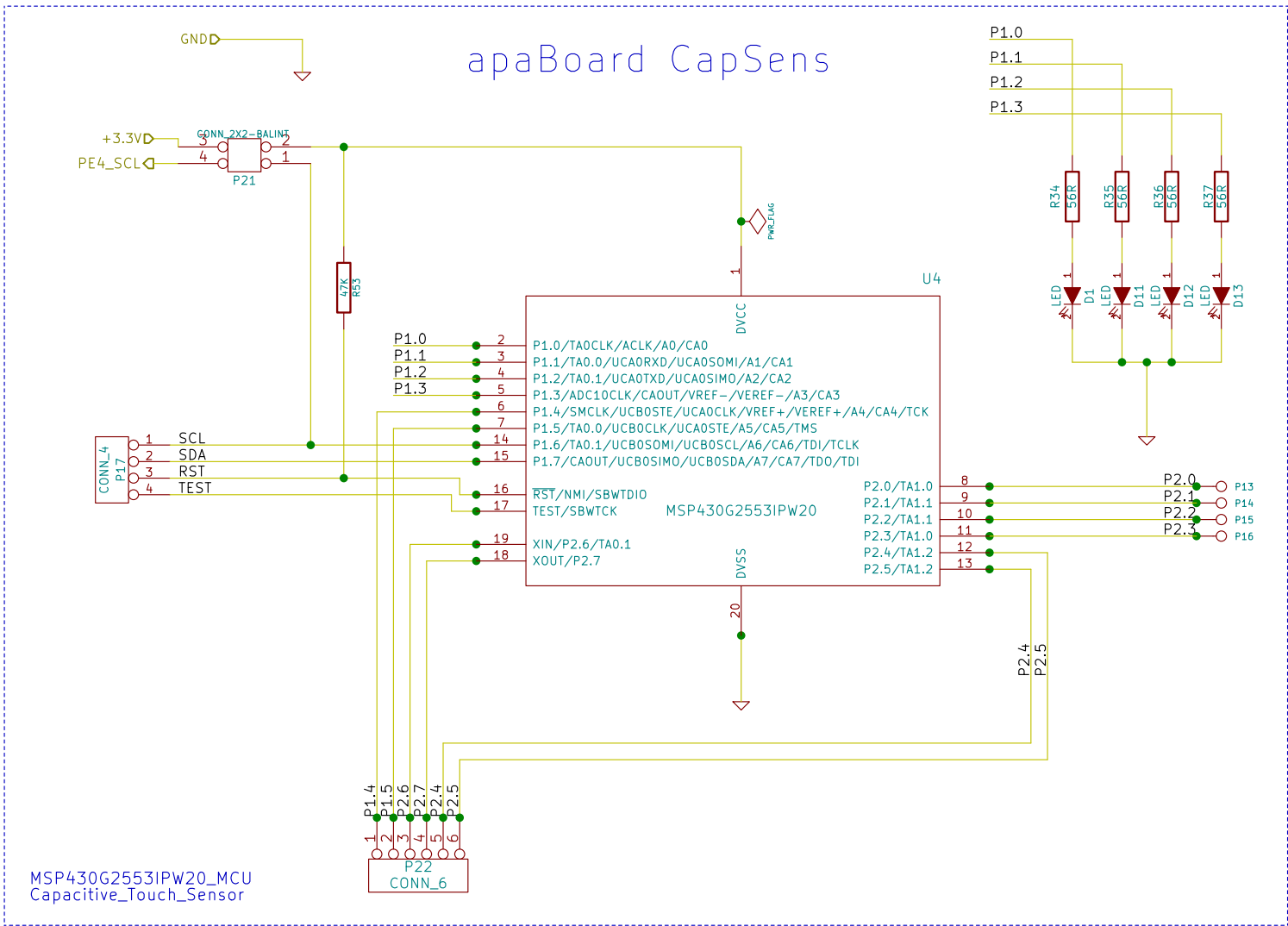
Sheet: /opto/
 File: OPTo.sch

Title: OPTO_COUPLER

Size: A4	Date: 07 Feb 2014	Rev: 09 Feb 2014
KiCad E.D.A. eeschema (2014-01-22 BZR 4630)-product		Id: 9/11



apaBoard CapSens



<http://www.ti.com/tool/430boost-sense1>

<http://apa.eskolar.com>

Sheet: /CapSens/

File: CapSens.sch

Title: CapSens

Size: A4	Date: 03 Feb 2014	Rev: 11/03/14
KiCad E.D.A. eschema (2014-01-22 BZR 4630)-product		Id: 11/11